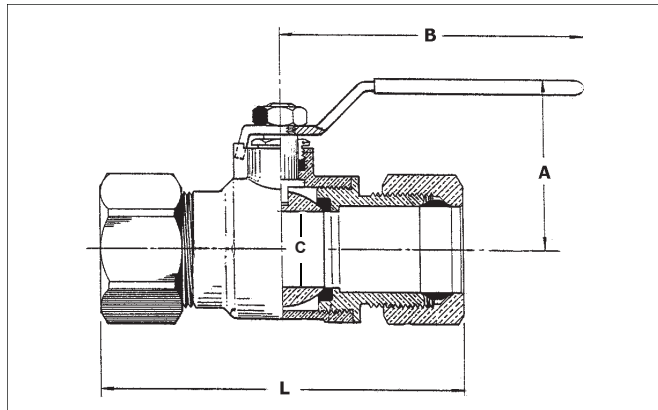
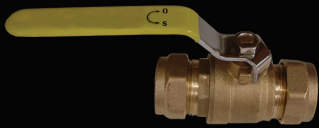


Forged Brass Full Port Ball Valves Compression

- Two Piece Body - Reduced Port - Blowout-Proof Stem - PTFE Seats
- 600 PSI WOG

Compression



Part No.	Description	Size	Wgt.	A	B	C	L	Inner Box Qty.	Master Box Qty.
EX6620	#600 Full Port Compression End Ball Valve	1/2"	0.43	1.82	3.42	0.39	2.96	10	60
EX6623	#600 Full Port Compression End Ball Valve	3/4"	0.62	1.93	3.98	0.59	3.50	10	60
EX6626	#600 Full Port Compression End Ball Valve	1"	1.0	2.10	3.98	0.75	3.55	5	40

Part	Material
Body	Cast Brass
Bonnet	Cast Brass
Ball	Chrome Plated Forged Brass
Stem	Extruded Brass
Seat	PTFE
Packing	Teflon
Packing Gland	Extruded Brass
Hex Nut	Extruded Brass
Lever Handle	Chrome Plated Steel w/Vinyl Cover
Ferrule	Brass
Compression Nut	Brass

