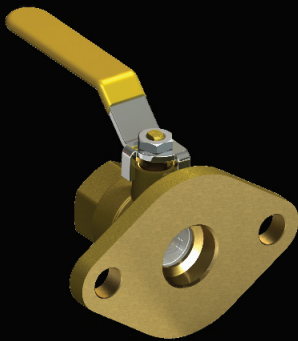


Forged Brass Pump Isolation Valves

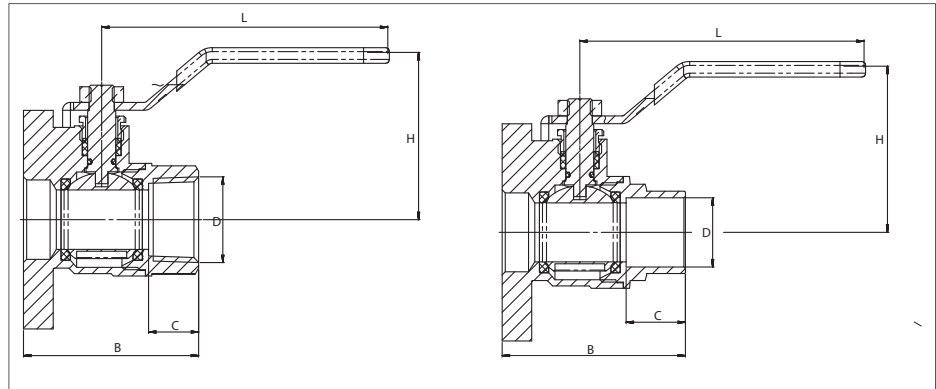
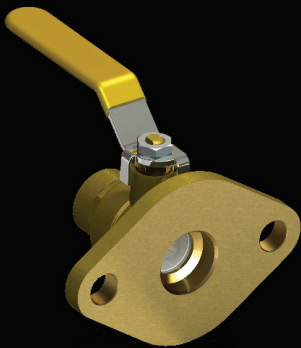
- Maximum Working Pressure: 150 WSP
- Maximum Working Pressure: 600 WOG
- Maximum Working Temperature: 200° F

- Configurations:
Flange x MPT
Flange x Sweat

Threaded

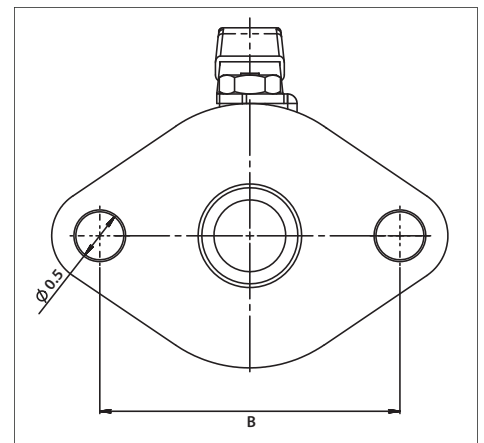


Sweat



Part No.	Description	Size	Wgt.	L	H	B	C	D	Inner Box Qty.	Master Box Qty.
EX6656	Pump Isolation Valve (NPT)	3/4	1.3	3.62	2.10	2.20	0.57	0.75	1	20
EX6659	Pump Isolation Valve (NPT)	1	1.7	4.33	2.50	2.63	0.66	1.00	1	20
EX6662	Pump Isolation Valve (NPT)	1-1/4	2.1	5.11	3.05	2.83	0.70	1.50	1	20
EX6674	Pump Isolation Valve (Sweat)	3/4	1.4	3.62	2.10	2.32	0.57	0.88	1	20
EX6677	Pump Isolation Valve (Sweat)	1	1.6	4.33	2.50	2.79	0.66	1.13	1	20
EX6680	Pump Isolation Valve (Sweat)	1-1/4	2.0	5.11	3.05	3.09	0.70	1.38	1	20

Part	Material
Body	Forged Brass, ASTM C37700
Flange	Forged Brass, ASTM C37700
Handle	Chrome Plated Steel
Handle Cover	Vinyl
Handle Screw	Brass
Seat	PTFE
Stem	Brass, C36000
Stem Seal	PTFE
Packing Gland	Brass, C36000
Ball	Chrome Plated Brass

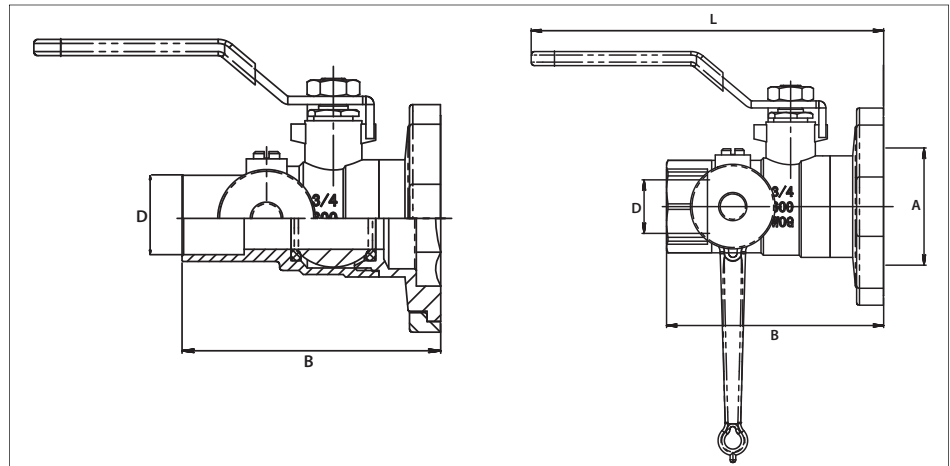
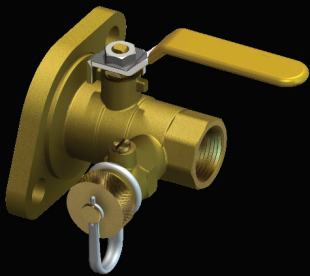


Forged Brass Pump Isolation Valves w/Rotating Flange and Drain-Off

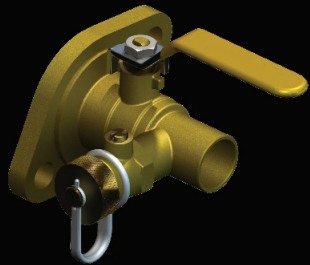
- Maximum Working Pressure: 150 WSP
- Maximum Working Pressure: 600 WOG
- Maximum Working Temperature: 200° F

- Configurations:
Flange x MPT
Flange x Sweat

Threaded



Sweat



Part No.	Description	Size	Wgt.	L	A	B	D	Inner Box Qty.	Master Box Qty.
EX6665	Pump Isolation Valve (NPT) w/Rotating Flange and Drain Off	3/4	1.7	3.62	0.75	3.00	0.75	1	24
EX6668	Pump Isolation Valve (NPT) w/Rotating Flange and Drain Off	1	2.1	4.33	1.00	3.50	1.00	1	18
EX6671	Pump Isolation Valve (NPT) w/Rotating Flange and Drain Off	1-1/4	2.6	5.11	1.20	3.75	1.50	1	12
EX6683	Pump Isolation Valve (Sweat) w/Rotating Flange and Drain Off	3/4	1.6	3.62	0.75	3.00	0.88	1	24
EX6686	Pump Isolation Valve (Sweat) w/Rotating Flange and Drain Off	1	2.0	4.33	1.00	3.50	1.13	1	18
EX6689	Pump Isolation Valve (Sweat) w/Rotating Flange and Drain Off	1-1/4	2.4	5.11	1.20	4.00	1.3	1	12

Part	Material
Body	Forged Brass, ASTM C37700
Flange	Forged Brass, ASTM C37700
Handle	Chrome Plated Steel
Handle Cover	Vinyl
Handle Screw	Brass
Seat	PTFE
Stem	Brass, C36000
Stem Seal	PTFE
Packing Gland	Brass, C36000
Ball	Chrome Plated Brass
Flange	Forged Brass, ASTM C37700
Drain Valve End Cap	Forged Brass, ASTM C37700
Drain Valve Handle	Chrome Plated Steel

