



# Forged Brass PEX Ball Valves

## ASTM F-1807-F877

### PEX Ball Valves

- Pressure Rating: 200 psi @ 180°F
- Lead Free Valves conform to California Law AB 1953



NSF/ANSI 61-8



PEX x PEX



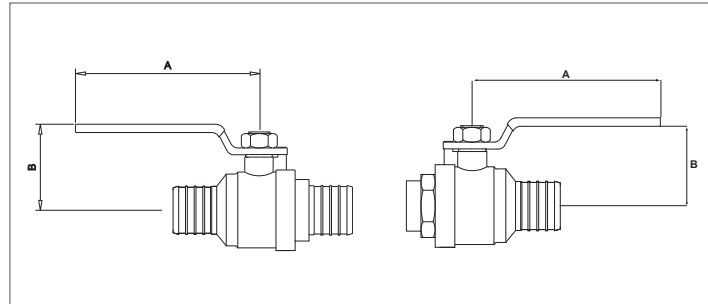
PEX x PEX  
(Lead Free)



PEX x Sweat

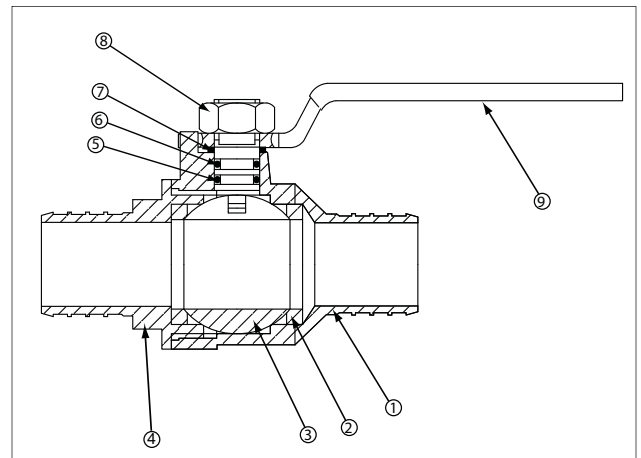


PEX x Sweat  
(Lead Free)



Part No.	Part No. (Lead Free)	Description	Size	Pex x Pex Wgt.	A	B	Inner Box Qty.	Master Box Qty.
EX6533	GEX6533	PEX x PEX	1/2"	0.30	2.8	1.3	10	120
EX6536	GEX6536	PEX x PEX	3/4"	0.40	2.8	1.5	10	120
EX6539	GEX6539	PEX x PEX	1"	0.70	3.5	2.1	10	120
EX6542	GEX6542	PEX x Female Sweat	1/2"	0.25	2.8	1.3	10	100
EX6545	GEX6545	PEX x Female Sweat	3/4"	0.40	2.8	1.5	10	100

Part	Material
Body	Forged Brass, C36500 (Low Lead) or C69300 (Lead Free)
Seat Ring	Teflon
Ball	Chrome Plated Forged Brass, C37700, or C69300 (Lead Free)
Cap	Forged Brass, C36500 (Low Lead) or C69300 (Lead Free)
Stem	Brass, C37700
O-Ring	NBR
Packing	Teflon
Nut	Brass, C37700
Handle	Zinc Plated W/Vinyl Cover



United Water Products  
2113 West 30th Street, Jacksonville, FL 32209  
Tel: (877) 766-4459 Fax: (877) 766-4458