



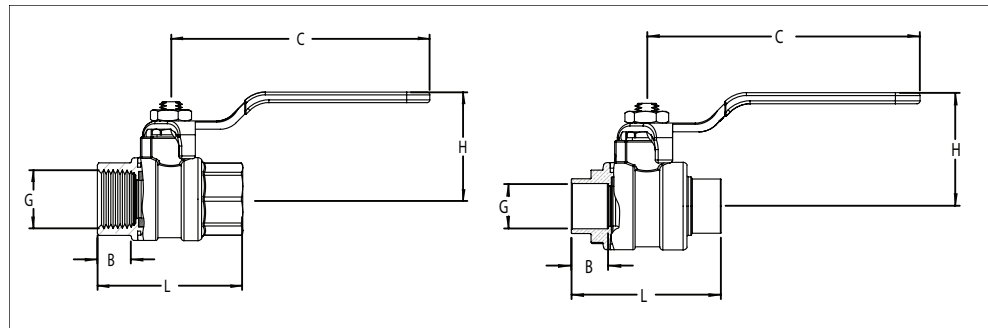
# Forged Brass Lead Free Full Port Ball Valves

Threaded & C x C  
Ball Valves

- Pressure Rating: 600 PSI - 1/4" - 2", 400 PSI - 2-1/2" - 4"
- Lead Free Valves conform to California Law AB 1953



NSF/ANSI 61-8



Threaded



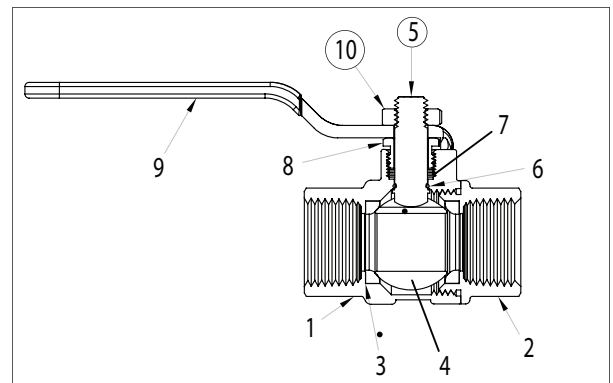
C x C



Part No. (Lead Free)	Description	Size	Wgt.	G	B	L	C	H	Inner Box Qty.	Master Box Qty.
GEX6569	#600 Full Port Threaded Ball Valve	1/4"	0.30	1/2-18 NPT	0.45	1.73	3.19	1.42	10	120
GEX6572	#600 Full Port Threaded Ball Valve	3/8"	0.28	3/8-18 NPT	0.45	1.73	3.19	1.42	10	120
GEX6575	#600 Full Port Threaded Ball Valve	1/2"	0.46	1/2-14 NPT	0.59	2.10	3.74	1.66	10	80
GEX6578	#600 Full Port Threaded Ball Valve	3/4"	0.70	3/4-14 NPT	0.61	2.45	3.74	1.89	12	48
GEX6581	#600 Full Port Threaded Ball Valve	1"	1.15	1-11 NPT	0.73	2.95	4.33	2.30	6	36
GEX6584	#600 Full Port Threaded Ball Valve	1-1/4"	1.73	1-1/4-11.5 NPT	0.75	3.38	5.12	2.70	6	24
GEX6587	#600 Full Port Threaded Ball Valve	1-1/2"	2.60	1-1/2-11.5 NPT	0.78	3.78	5.12	2.91	2	16
GEX6590	#600 Full Port Threaded Ball Valve	2"	3.85	2-11.5 NPT	0.80	4.33	6.34	3.48	1	12

Part No. (Lead Free)	Description	Size	Wgt.	G	B	L	C	H	Inner Box Qty.	Master Box Qty.
GEX6602	#600 Full Port C x C Ball Valve	1/2"	0.40	0.63	0.49	2.04	3.74	1.66	10	80
GEX6605	#600 Full Port C x C Ball Valve	3/4"	0.63	0.87	0.74	2.75	3.74	1.89	12	48
GEX6608	#600 Full Port C x C Ball Valve	1"	1.10	1.12	0.90	3.33	4.33	2.30	6	36
GEX6611	#600 Full Port C x C Ball Valve	1-1/4"	1.63	1.37	0.96	3.85	5.12	2.70	6	24
GEX6614	#600 Full Port C x C Ball Valve	1-1/2"	2.27	1.62	1.10	4.44	5.12	2.91	2	16
GEX6617	#600 Full Port C x C Ball Valve	2"	4.00	2.12	1.33	5.47	6.34	3.48	1	12

Part	Material
Body	C69300 (Lead Free)
Bonnet	Teflon
Seal	PTFE
Ball	C69300 (Lead Free)
Stem	Brass, C37700
O-Ring	EPDM
Packing	PTFE
Packing Gland	Teflon
Handle	Chrome Plated Steel w/Vinyl Cover
Hex Nut	Steel



United Water Products  
2113 West 30th Street, Jacksonville, FL 32209  
Tel: (877) 766-4459 Fax: (877) 766-4458

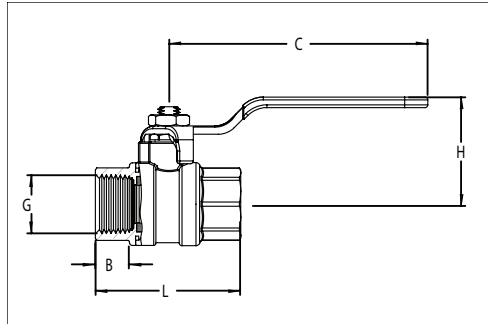
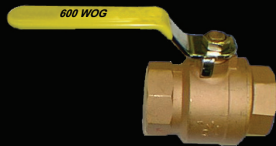


# Forged Brass Full Port Ball Valves IPS

- Pressure Rating: 600 PSI - 1/4" - 4"
- UL, NSF 61 & CSA Listing - 1/2" - 2"

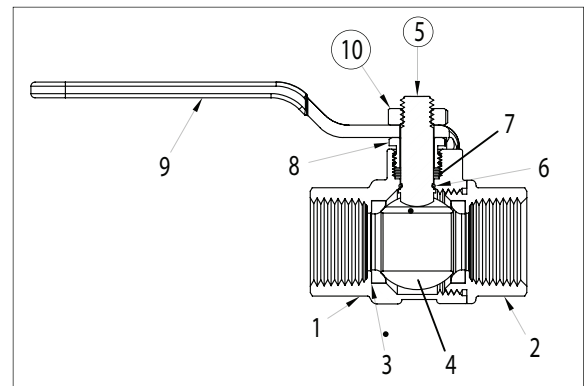


Threaded



Part No. (Lead Free)	Description	Size	Wgt.	G	B	L	C	H	Inner Box Qty.	Master Box Qty.
EX6569	#600 Full Port Threaded Ball Valve	1/4"	0.30	1/4-18 NPT	0.37	1.73	3.50	1.81	10	120
EX6572	#600 Full Port Threaded Ball Valve	3/8"	0.28	3/8-18 NPT	0.37	1.73	3.50	1.81	10	120
EX6575	#600 Full Port Threaded Ball Valve	1/2"	0.46	1/2-14 NPT	0.41	1.97	3.50	1.99	10	80
EX6578	#600 Full Port Threaded Ball Valve	3/4"	0.70	3/4-14 NPT	0.45	2.24	4.09	2.36	12	48
EX6581	#600 Full Port Threaded Ball Valve	1"	1.15	1-11 NPT	0.53	2.66	4.63	2.46	6	36
EX6584	#600 Full Port Threaded Ball Valve	1-1/4"	1.73	1-1/4-11.5 NPT	0.61	3.21	4.63	2.76	6	24
EX6587	#600 Full Port Threaded Ball Valve	1-1/2"	2.60	1-1/2-11.5 NPT	0.65	3.58	5.71	3.70	2	16
EX6590	#600 Full Port Threaded Ball Valve	2"	3.85	2-11.5 NPT	0.69	4.17	5.71	4.02	1	12
EX6593	#600 Full Port Threaded Ball Valve	2-1/2"	7.40	2-1/2-8 NPT	0.93	5.35	9.13	4.53	1	6
EX6596	#600 Full Port Threaded Ball Valve	3"	10.06	3-8 NPT	1.06	6.32	9.13	4.96	1	4
EX6599	#600 Full Port Threaded Ball Valve	4"	16.84	4-8 NPT	1.10	7.28	9.13	5.55f	1	2

Part	Material
Body	Forged Brass, ASTM C37700
Bonnet	Forged Brass, ASTM C37700
Seal	PTFE
Ball	Forged Brass, ASTM C37700
Stem	Forged Brass, ASTM C37700
Stem Washer	PTFE
Packing	PTFE
Packing Gland	Forged Brass, ASTM C37700
Handle	Chrome Plated Steel w/Vinyl Cover
Hex Nut	Forged Brass, ASTM C37700



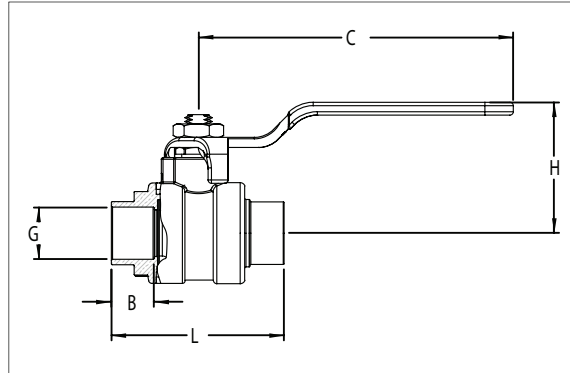
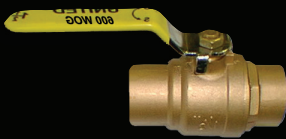


# Forged Brass Full Port Ball Valves Sweat x Sweat

- Pressure Rating: 600 PSI - 1/4" - 2"  
400 PSI - 2-1/2" - 4"
- UL & NSF 61 Listing - 1/4" - 4"
- FM Listing - 1/4" - 2"



Sweat



Part No. (Lead Free)	Description	Size	Wgt.	G	B	L	C	H	Inner Box Qty.	Master Box Qty.
EX6602	#600 Full Port Sweat x Sweat Ball Valve	1/2"	0.40	0.63	0.51	2.01	3.54	1.84	10	80
EX6605	#600 Full Port Sweat x Sweat Ball Valve	3/4"	0.63	0.90	0.75	2.74	3.80	2.00	12	48
EX6608	#600 Full Port Sweat x Sweat Ball Valve	1"	1.10	1.13	0.87	3.22	4.52	2.45	6	36
EX6611	#600 Full Port Sweat x Sweat Ball Valve	1-1/4"	1.63	1.38	1.00	3.82	4.52	2.90	6	24
EX6614	#600 Full Port Sweat x Sweat Ball Valve	1-1/2"	2.27	1.63	1.10	4.43	5.51	3.20	2	16
EX6617	#600 Full Port Sweat x Sweat Ball Valve	2"	4.00	2.13	1.35	5.31	5.51	3.45	1	12

Part	Material
Body	Forged Brass, ASTM C37700
Bonnet	Forged Brass, ASTM C37700
Seal	PTFE
Ball	Forged Brass, ASTM C37700
Stem	Forged Brass, ASTM C37700
Stem Washer	PTFE
Packing	PTFE
Packing Gland	Forged Brass, ASTM C37700
Handle	Chrome Plated Steel w/Vinyl Cover
Hex Nut	Forged Brass, ASTM C37700

