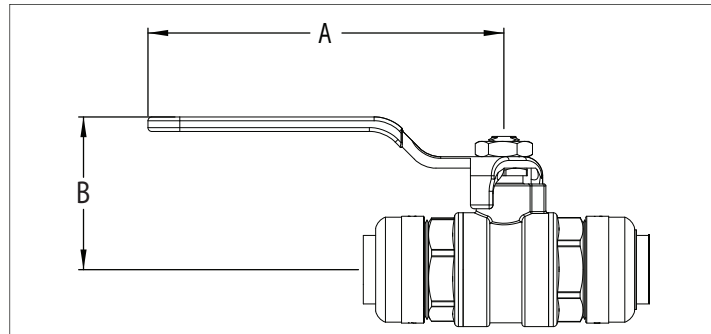




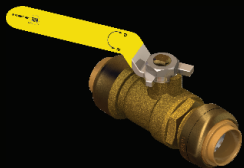
Forged Brass Plumb-Bite Ball Valves

Plumb-Bite Ball Valves

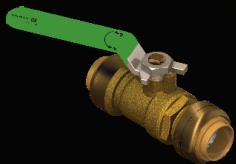
- Pressure Rating: 200 psi @ 180°F
- Lead Free Valves conform to California Law AB 1953



Push-Joint x
Push-Joint

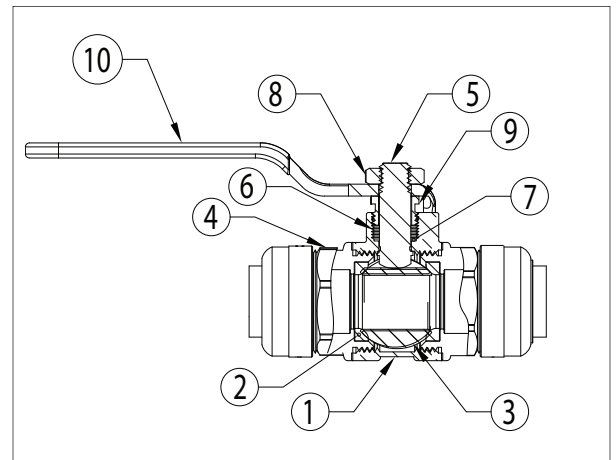


Push-Joint x
Push-Joint
(Lead Free)



Part No.	Part No. (Lead Free)	Description	Size	Wgt.	A	B	Inner Box Qty.	Master Box Qty.
EX6935	GEX6935	Push-Joint Ball Valve	1/2"	0.80	2.8	1.3	1	100
EX6938	GEX6938	Push-Joint Ball Valve	3/4"	1.25	2.8	1.5	1	100
EX6941	GEX6941	Push-Joint Ball Valve	1"	2.00	3.5	2.1	1	50

Part	Material
Body	Forged Brass, C36500 (Low Lead) or C69300 (Lead Free)
Seat Ring	Teflon
Ball	Chrome Plated Forged Brass, C37700, or C69300 (Lead Free)
Cap	Forged Brass, C36500 (Low Lead) or C69300 (Lead Free)
Stem	Brass, C37700
O-Ring	NBR
Packing	Teflon
Nut	Brass, C37700
Packing Nut	Brass, C37700
Handle	Zinc Plated W/Vinyl Cover



United Water Products
2113 West 30th Street, Jacksonville, FL 32209
Tel: (877) 766-4459 Fax: (877) 766-4458