



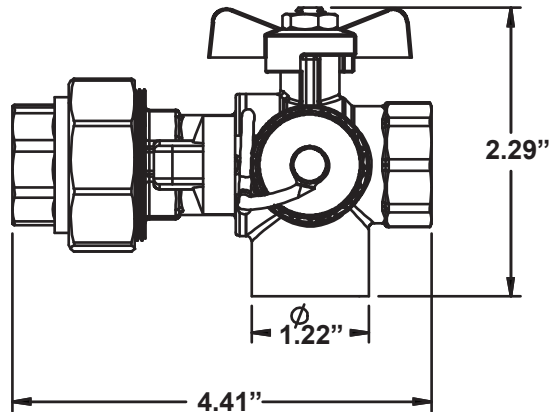
# Tankless Water Heater Valves (Threaded, Sweat & Push-Joint)

• Available Connections:

- Sweat
- Threaded
- Push-Joint



**Hot**



- Forged Brass - 3/4" Full Port
- Maximum Working Pressure: 600 WOG
- Kits include 4-Way Hot and 4-Way Cold Valves



**Cold**

Description	Material
Body	Forged Brass, C3700
Ball	Chrome Plated Brass, C38500
Seat	PTFE
Stem	Brass, C36000
O-Ring	NBR
Packing Gland	PTFE
Rubber Gasket	NBR
Cap	Brass, C3700
Handle - Blue (Cold) Red (Hot)	Aluminum

Part No.	Part No. (LEAD FREE)	Description	Size	Inner Box Qty.	Master Box Qty.
EX6638	GEX6638	IPS Tankless Water Heater Valve Kit (includes one hot and one cold water valve)	3/4	1	8
EX6641	GEX6641	IPS Tankless Water Heater Cold Valve	3/4	1	16
EX6644	GEX6644	IPS Tankless Water Heater Hot Valve	3/4	1	16
EX6647	GEX6647	Sweat Tankless Water Heater Valve Kit (includes one hot and one cold water valve)	3/4	1	8
EX6650	GEX6650	Sweat Tankless Water Heater Cold Valve	3/4	1	16
EX6653	GEX6653	Sweat Tankless Water Heater Hot Valve	3/4	1	16
EX7054	GEX7054	Push-Joint Tankless Water Heater Valve Kit (includes one hot and one cold water valve)	3/4	1	8
EX7057	GEX7057	Push-Joint Tankless Water Heater Cold Valve	3/4	1	16
EX7060	GEX7060	Push-Joint Tankless Water Heater Hot Valve	3/4	1	16



United Water Products  
2113 West 30th Street, Jacksonville, FL 32209  
Tel: (877) 766-4459 Fax: (877) 766-4458